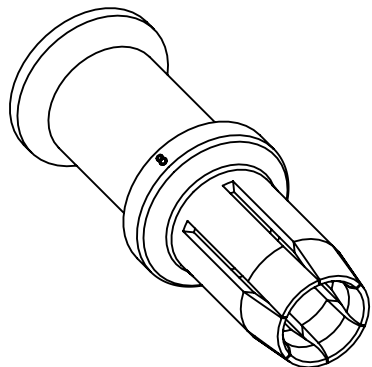






assembly notes see catalog
 crimp zone acc. to DIN EN 46235; indicator 8
 for stranded fine wire acc. to VDE 0295 class 5/IEC 60228 class 5
 wire gauge: 16mm²
 stripping length: 15,5mm



	 All Dimensions in mm Original Size DIN A4	Scale 2:1	Free size tol.		Ref.
	 All rights reserved Department EL PD	Created by HELLMANN	Inspected by NICHTERLEIN	Standardisation SAP_WFRT	Date 2022-10-10
 HARTING D-32339 Espelkamp		Title Han TC70 female contact 16mm ² Type TB Number 09 11 000 6232			Doc-Key / ECM-Nr. 100183946/UGD/005/C 500000224804
					Rev. C Page 1/1